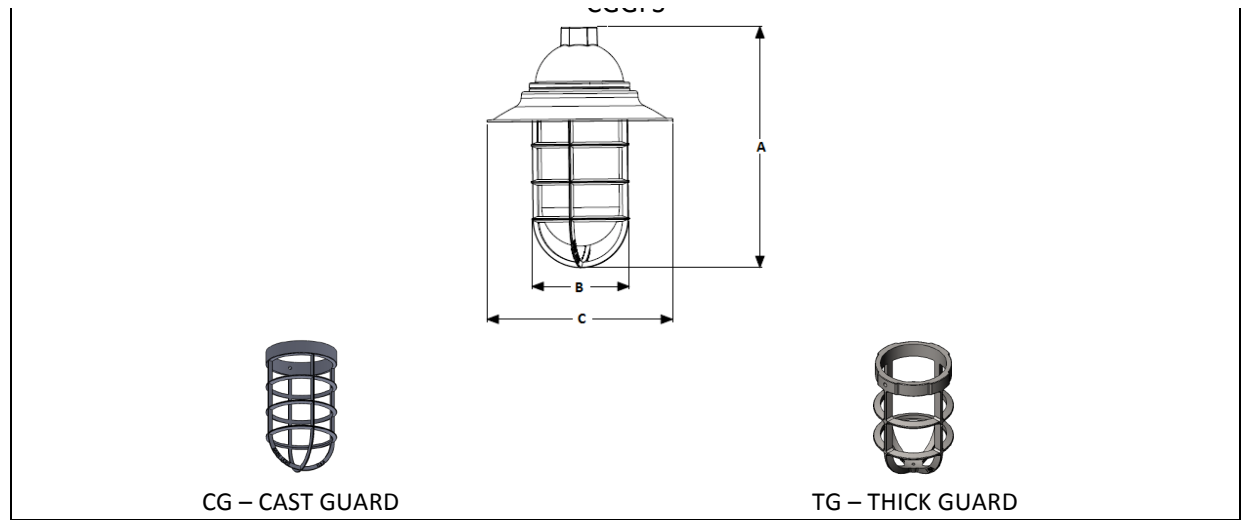


Item #	Height (A)	Width (B)	Width (C)
CGGFS	10 ¼"	4 ¼"	8"
TGGFS	10 ¼"	4 ¼"	8"



Model #	Item #	Standard Finishes	Mounting Options	Mounting Color	Glass Options	Wattage/Lamp Option
Stem Mount	CGGFS	<i>Other:</i> 975-Galvanized	<i>Cord:</i> Standard ¹ : SBK Black SWH White Cotton ² : CRZ Red Chevron ² : CGM Grey CBK Black Cotton Twists ² : TBR Brown TBK Black TPT Putty TRD Red TWH White <i>Stem:</i> ST _____ ^Specify stem model <i>Gooseneck:</i> G _____ ^Specify gooseneck model <i>Flush Mount:</i> FM <i>For additional mounting options and details, see mounting spec sheet</i>	<i>Cord:</i> Canopy color: Standard is: Same as fixture (leave code blank) OR 100-Black 200-White <i>Stem and Gooseneck:</i> Other: 975-Galvanized 980-Brushed Aluminum <i>Powder Coat:</i> 100-Black 200-White 300-Dark Green 600-Bronze 605-Rust	<i>Vapor Proof Glass</i> CLR- Clear FST- Frosted RIB- Ribbed	Incandescent (Max 100 watt per socket) GU-24 Bi-pin Socket
Cord Hung	TGGFS	<i>Powder Coat:</i> 100-Black 200- White 300-Dark Green 600-Bronze 605-Rust <i>For additional colors, see color chart</i>				
Goose Neck						
Flush Mount						
BLE-C	CGGFS	100	SBK			

ORDER SPECIFICS						
BLE-						

Notes:
¹ Suitable for Damp location. Standard length 8 feet. Additional lengths available.
² Suitable for Dry location Only (Not CSA listed). Standard length 6 feet. Additional lengths available.
³ Gooseneck and stems painted to match finish
Suitable for Wet Location (except when cord mounted)

