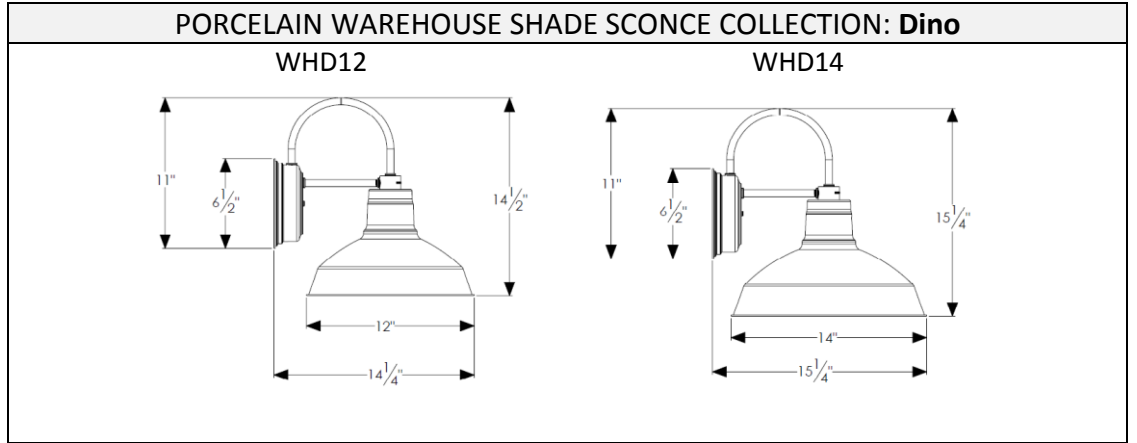




Item #	Shade Diameter	Canopy to Top	Overall Height	Canopy Diameter	Projection
WHD12	12"	10 1/2"	15 3/4"	6 3/4"	14 3/4"
WHD14	14"	10 1/2"	16"	6 3/4"	15"



Model #	Item #	Standard Finishes	Optional Accessories	Accessory Colors	Wattage/Lamp Options	Ballast	Voltage
W- Sconce	<b>WHD12</b> <b>WHD14</b>	<i>Porcelain</i> <sup>1</sup> : <b>150</b> -Black <b>250</b> -White <b>350</b> -Dark Green <b>355</b> -Jadite <b>650</b> -Bronze  <i>For additional colors, see color chart</i>	<b>CGG</b> -Cast Guard and Glass <sup>3</sup>  <b>WGG</b> -Wire Guard and Glass <sup>3</sup>  <b>WC</b> -Wire Cage	<i>Other:</i> <b>975</b> -Galvanized  <i>Painted to Match</i> <sup>2</sup> : <b>110</b> -Black <b>210</b> -White <b>310</b> -Dark Green <b>311</b> -Jadite <b>610</b> -Bronze  <i>For additional colors, see color chart</i>  <i>Vapor Proof Glass:</i> <b>CLR</b> - Clear <b>FST</b> - Frosted	200 Watt maximum		
BLE-W	WHD12	150 <i>SAMPLE ORDER</i>	CGU	975-FST <i>SAMPLE ORDER</i>		<i>SAMPLE ORDER</i>	

**ORDER SPECIFICS**

BLE-W							
-------	--	--	--	--	--	--	--

Notes:

<sup>1</sup> Canopy and arm painted to match shade finish

<sup>2</sup> Accessories painted to match porcelain finish

<sup>3</sup> Guard/Glass option reduces wattage to 100 W

**Suitable for Wet Location**