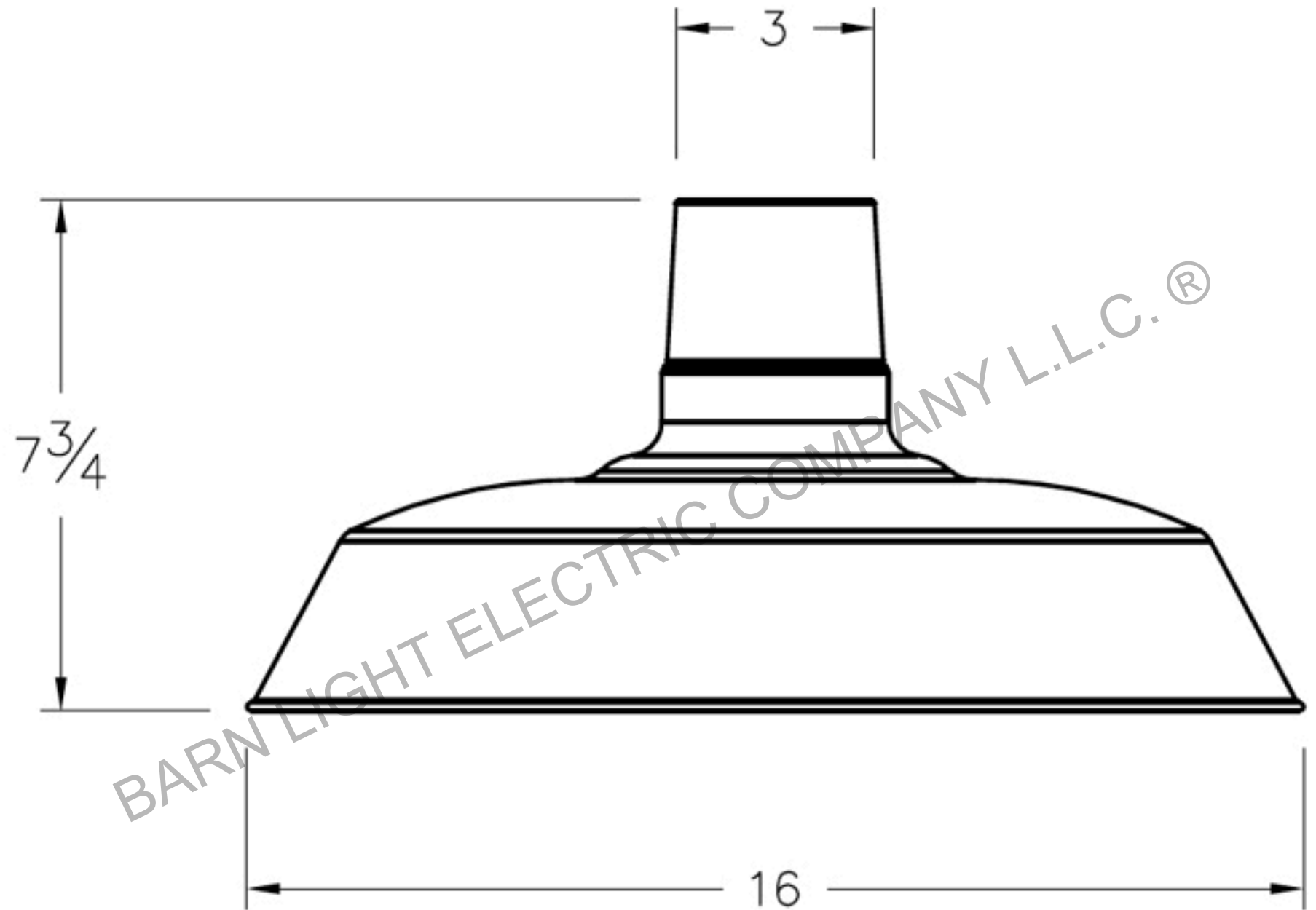




BARN LIGHT ELECTRIC SKY CHIEF



Any dissemination or use of this information by a person other than the intended recipient is unauthorized and may be illegal. BARN LIGHT ELECTRIC and other names of Barn Light Electric Company L.L.C., products, services, graphics, technical drawings, designs, websites and logos are trademarks of Barn Light Electric L.L.C.

Barn Light Electric Company L.L.C. ®  
305 South Washington Avenue  
Titusville, FL. 32796  
Ph: (321) 269-2299