

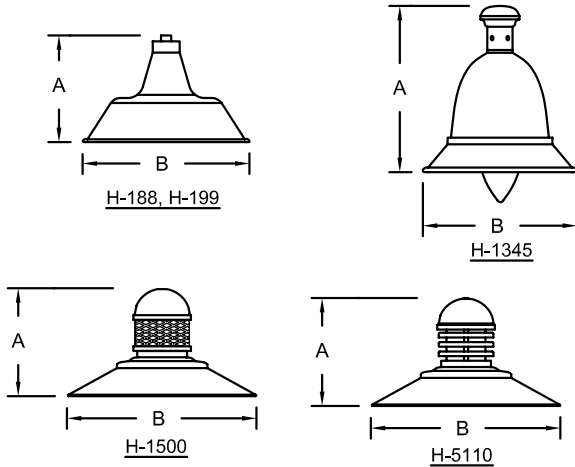


Job Name: _____
 Type: _____
 Quantity: _____

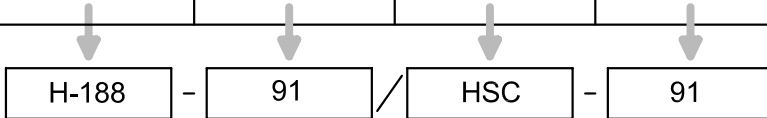
13450 Monte Vista Avenue
 Chino, California 91710
 Telephone: (909) 465-1999
 Toll Free: (800) 465-0211

Item Number	Height (A)	Width (B)
H-188	10"	11"
H-189	13"	15"
H-1345	20"	12"
H-1500	7"	12"
H-5110	7"	12"
H-5120	13"	18"

Pendant Collection



Fixture No.	Fixture Color	Mounting	Mounting Color	Wattage/Lamp Options	Voltage
H-188 (1) H-189 (1) H-1345 (1) H-1500 (1) H-5110 (1) H-5120 (1)	Standard (2) 91 (Black) 93 (White) 95 (Dk. Grn) 96 (Galv.) BR47 (Rust) BK01, GN20. Upgraded Finishes. 29, 66, 82, 90, 92, 94, 97, 99, 100, 103, 104, 105, 110, 112, 113, 114, 115, 117, 118, 119, 120, 127, 128, 129, 133, 134, 135, 136, 98, 101, 102, 137, 121, 122, 123, 124, 125, 126, 11, 01, 22, 25, 33, 77, 89, 24, 44, 48, 49, 15, 16. For finish specs see pages 344-348.	Cord Options CB7 (7' Blk Cord) CW7 (7' Wht Cord) CG7 (7' Gray Mesh Cord) Custom Cord Options CB__ (Black) CW__ (White) CG__ (Gray Mesh) Specify length. Stem Options (Stem 1/2") __ST Specify length and canopy. HSC (Canopy) SMC (Canopy) Flush Mount Options FHSC FSMC For specs see pages 321-343.	Standard 91 (Black) 93 (White) 95 (Dk. Grn) 96 (Galv.) BR47 (Rust) For all finishes see pages 344-348.	Incandescent (1) (Fixture is standard 75W, 100W or 200W. Do not specify)	Incandescent (Fixture is standard 120V. Do not specify.)



ORDER EXAMPLE
 (USE THIS FORMAT TO PLACE ORDER)

Notes:

- (1) H-188, H-1345, H-1500 and H-5120 available for 100W Max INC.
 H-189 available for 200W Max INC.
 H-5110 available for 75W Max INC.
- (2) For interior finish of fixture refer to color chart on pages 344-348.

Suitable for damp location.
 (Except when cord mounted)