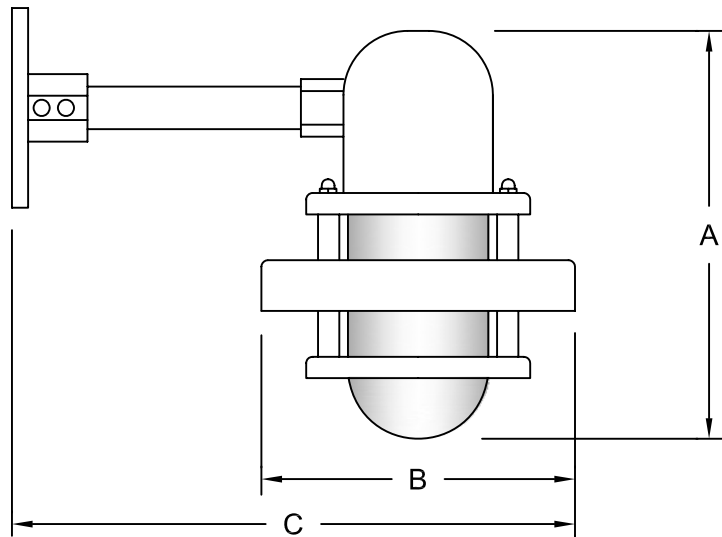




Job Name: _____
 Type: _____
 Quantity: _____

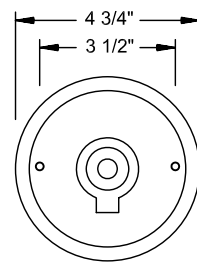
Belinda Collection



For Wall Mount Only

Item Number	Height (A)	Width (B)	Projection (C)
H-36206-B	9"	6"	10 1/2"
H-36208-B	11"	8"	12 1/2"

Fixture No.	Fixture Color	Glass Color	Wattage/Lamp Options	Ballast	Voltage
H-36206-B ⁽¹⁾ H-36208-B ⁽¹⁾	Standard 91 (Black) 93 (White) 95 (Dk. Grn) 96 (Galv.) BR47 (Rust) BK01, GN20. Upgraded Finishes 29, 66, 82, 90, 92, 94, 97, 99, 100, 103, 104, 105, 110, 112, 113, 114, 115, 117, 118, 119, 120, 127, 128, 129, 133, 134, 135, 136, 98, 101, 102, 137, 121, 122, 123, 124, 125, 126, 24, 44, 48, 49. For finish specs see pages 344-348.	CLR (Clear) RIB (Clear Ribbed) FR (Frost) RD (Red) BL (Blue) GRN (Green) AM (Amber) AMC (Amber Crackle)	Incandescent ⁽¹⁾ (Fixture is standard 100W or 200W. Do not specify.) CFL ⁽¹⁾ (Compact Fluorescent) 13/CFL 18/CFL 26/32/42/CFL 26/CFL 32/CFL 42/CFL 57/CFL DMB (Dimmable Ballast for CFL. Add to Part No.) HID ⁽¹⁾ (High Intensity Discharge) MH ⁽¹⁾ (Metal Halide) 35/MH 50/MH 70/MH 100/MH 150/MH 175/MH HPS ⁽¹⁾ (High Pressure Sodium) 50/HPS 70/HPS 100/HPS 150/HPS	Ballast option not available for INC. RB ⁽²⁾ (Remote) BCM (Canopy Mount) For specs see pages 341-343.	Incandescent (Fixture is standard 120V. Do not specify.) CFL M (Multi 120/277V) HID RB and BCM M (Multi 120/208/240/277V)



Mounting Detail

H-36206-B - 91 - CLR / 13/CFL - BCM - M

ORDER EXAMPLE

(USE THIS FORMAT TO PLACE ORDER)

Notes:

(1) H-36206-B available for 100W Max INC, 32W Max CFL and 100W Max HID.
 H-36208-B available for 200W Max INC, 57W Max CFL and 175W Max HID.

(2) (RB) Remote ballast not available for Fluorescent Lamping.

Suitable for wet location.