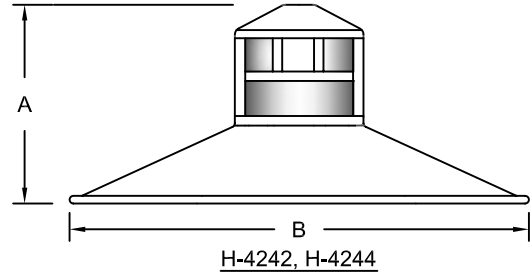
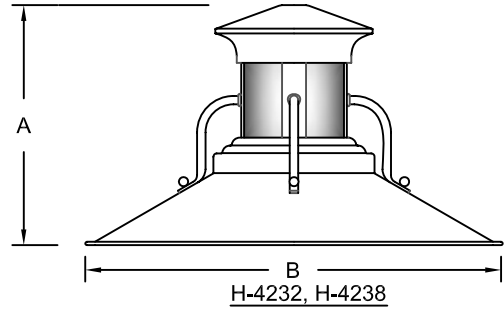




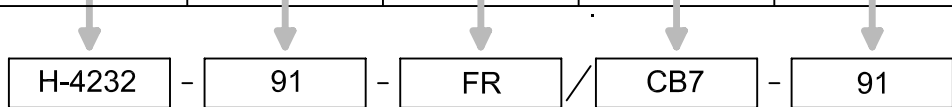
Job Name: _____
 Type: _____
 Quantity: _____

Pendant Collection



Item Number	Height (A)	Width (B)
H-4232	7"	12"
H-4238	13"	18"
H-4242	6 1/2"	12"
H-4244	7"	14"

Fixture No.	Fixture Color	Glass Color	Mounting	Mounting Color	Wattage/Lamp Options	Voltage
H-4232 ⁽¹⁾ H-4238 ⁽¹⁾ H-4242 ⁽¹⁾ H-4244 ⁽¹⁾	Standard ⁽²⁾ 91 (Black) 93 (White) 95 (Dk. Grn) 96 (Galv.) BR47 (Rust) BK01, GN20. Upgraded Finishes 29, 66, 82, 90, 92, 94, 97, 99, 100, 103, 104, 105, 110, 112, 113, 114, 115, 117, 118, 119, 120, 127, 128, 129, 133, 134, 135, 136, 11, 98, 101, 102, 137, 121, 122, 123, 124, 125, 126, 33, 77, 89, 24, 48, 49. For finish specs see pages 344-348.	HI (Honey IRRI) OP (Opal) CLD (Cloud) FR (Frost) GI (Green IRRI) BI (Blue IRRI)	Cord Options CB7 (7' Blk Cord) CW7 (7' Wht Cord) CG7 (7' Gray Mesh Cord) Custom Cord Options CB (Black) CW (White) CG (Gray Mesh) Specify length. Stem Options (Stem 1/2") ST Specify length and canopy. HSC (Canopy) SMC (Canopy) Flush Mount Options FHSC FSMC Arm Options B-1 HL-K HL-A HL-U HL-H P-1 HL-C P-3 HL-D For all arms and specs see pages 321-343.	Standard 91 (Black) 93 (White) 95 (Dk. Grn) 96 (Galv.) BR47 (Rust) For all finishes see pages 344-348.	Incandescent ⁽¹⁾ (Fixture is standard 100W or 200W. Do not specify.)	Incandescent (Fixture is standard 120V. Do not specify.)



ORDER EXAMPLE
 (USE THIS FORMAT TO PLACE ORDER)

Notes:

- (1) H-4232, H-4242 and H-4244 available for 100W Max INC. H-4238 available for 200W Max INC.
- (2) For interior finish of fixture refer to color chart on pages 344-348.

Suitable for damp location.
 (Except when cord mounted)