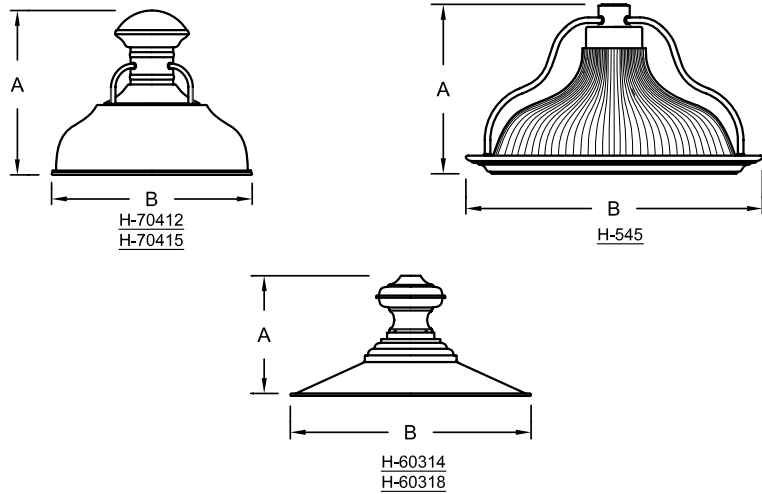




Job Name: _____
 Type: _____
 Quantity: _____

Item Number	Height (A)	Width (B)
H-545	10"	18"
H-60314	10"	14"
H-60318	12"	18"
H-70412	13"	12"
H-70415	16"	15"

Pendant Collection



Fixture No.	Fixture Color	Mounting	Mounting Color	Optional Accessories	Accessory Color	Wattage/Lamp options	Ballast	Voltage
H-545	Standard (1)	Mounting Options	Standard	CGU (Cast guard & glass)	Standard	Incandescent (Fixture is standard 200W. Do not specify.)	Ballast option not available for INC.	Incandescent (Fixture is standard 120V. Do not specify.)
H-60314	91 (Black)	1/2"	91 (Black)	LCGU (Large cast guard & glass)	91 (Black)	CFL (3) (Compact Fluorescent)	RB (4) (Remote)	CFL M (Multi 120/277V)
H-60318	93 (White)	3/4"	93 (White)	WGU (Wire guard & glass)	93 (White)	13/CFL	BCM (Canopy Mount)	HID RB and BCM M (Multi 120/208/240/277V)
H-70412	95 (Dk. Grn)	Cord Options (2)	95 (Dk. Grn)	LWGU (Large wire guard & glass)	95 (Dk. Grn)	18/CFL	PLB (5) (Postline)	PLB 1 (120V) 2 (277V)
H-70415	96 (Galv.) BR47 (Rust) BK01, GN20.	CW8 (8' Wht Cord) CG8 (8' Gray Mesh Cord)	96 (Galv.) BR47 (Rust)	ARN (Acorn globe)	96 (Galv.) BR47 (Rust)	26/32/42/CFL	For specs see pages 341-343.	
	Upgraded Finishes. 29, 66, 82, 90, 92, 94, 97, 99, 100, 103, 104, 105, 110, 112, 113, 114, 115, 117, 118, 119, 120, 127, 128, 129, 133, 134, 135, 136, 98, 101, 102, 137, 121, 122, 123, 124, 125, 126, 11, 01, 22, 25, 33, 77, 89.	Custom Cord Options (2) CB (Black) CW (White) CG (Gray Mesh) Specify length.	For all finishes see pages 344-348.	LARN (Large acorn globe)	For all finishes see pages 344-348.	42/CFL		
	For finish specs see pages 344-348.	Stem Options (Stem 1/2") ST Specify length and canopy. HSC (Canopy) SMC (Canopy)		WGR (Wire guard)		57/CFL		
		Flush Mount Options FHSC FSMC		SK (Swivel knuckle)		DMB (Dimmable Ballast for CFL. Add to Part No.)		
		Arm Options B-1 HL-K HL-A HL-U HL-H P-1 HL-C P-3 HL-D		LFX (Flexible tubing for cord mounted fixture only)		HID (3) (High Intensity Discharge)		
		For all arms and specs see pages 321-343.		For specs and glass color see pages 321-344.		MH (3) (Metal Halide) 35/MH 50/MH 70/MH 100/MH 150/MH 175/MH		
						HPS (3) (High Pressure Sodium) 50/HPS 70/HPS 100/HPS 150/HPS		

H-545 - 91 / 1/2" - 91 / CGU-CLR - 91 / 13/CFL - BCM - M

ORDER EXAMPLE (USE THIS FORMAT TO PLACE ORDER)

Notes:

- (1) For interior finish of fixture refer to color chart on pages 344-348.
- (2) Cord Mounting wattage not to exceed 100 for HID. Gray Mesh Cord not available for HID.
- (3) Requires Globe Option. (See pages 339-341 for Globe Options)
 Max Wattages for CGU and WGU are 100W INC, 32W CFL and 100W HID.
 Max Wattages for LWGU, LCGU, ARN and LARN are 200W INC, 57W CFL and 175W HID.
- (4) (RB) Remote Ballast not available for Fluorescent Lamping.
- (5) (PLB) Post Line Ballast must specify 120V or 277V.
 (PLB) 50W MH requires a 3" dia. pole.
 (PLB) 70W and 100W MH require a 4" dia. pole.
 (PLB) 50W, 70W, 100W and 150W HPS require a 3" dia. pole.

Suitable for wet location.
(Except when cord mounted)