



Job Name: _____
 Type: _____
 Quantity: _____

Fixture No.	Height (A)	Width (B)	Projection (C)
H-62105-B	7 1/2"	7 1/2"	4 1/2"
H-62110-B	10"	10"	5"
H-62205-B	8 1/2"	5"	4 1/2"
H-62210-B	11"	8 1/2"	5"
H-62215-B	15"	15"	9 1/2"
H-62225-B	15"	15"	9"
H-62230-B	15"	15"	9 1/2"

Fixture No.	Fixture Color	Glass Color	Wattage/Lamp options	Ballast	Voltage
H-62105-B ⁽¹⁾	Standard 91 (Black)	RIB (Clear Ribbed)	Incandescent ⁽¹⁾ (Fixture is standard 60W or 200W. Do not specify.)	Ballast option not available for INC.	Incandescent (Fixture is standard 120V. Do not specify.)
H-62110-B ⁽¹⁾	93 (White)	FR (Frost)	CFL (Compact Fluorescent) ___ 13/CFL ___ 18/CFL ___ 26/32/42/CFL ___ 26/CFL ___ 32/CFL ___ 42/CFL Specify quantity, 1 or 2. 1-57/CFL	OBB (Onboard) For specs see pages 341-343.	CFL M (Multi 120/277V)
H-62205-B ⁽¹⁾	95 (Dk. Grn)				HID OBB M (Multi 120/208/240/277V)
H-62210-B ⁽¹⁾	96 (Galv.)				
H-62215-B ⁽¹⁾	BR47 (Rust)				
H-62225-B ⁽¹⁾	BK01, GN20.				
H-62230-B ⁽¹⁾	Upgraded Finishes 29, 66, 82, 90, 92, 94, 97, 99, 100, 103, 104, 105, 110, 112, 113, 114, 115, 117, 118, 119, 120, 127, 128, 129, 133, 134, 135, 136, 98, 101, 102, 137, 121, 122, 123, 124, 125, 126.				
	For finish specs see pages 344-348.				
			DMB (Dimmable Ballast for CFL. Add to Part No.)		
			HID (High Intensity Discharge)		
			MH (Metal Halide) 35/MH 50/MH 70/MH 100/MH 150/MH 175/MH		
			HPS (High Pressure Sodium) 50/HPS 70/HPS 100/HPS 150/HPS		

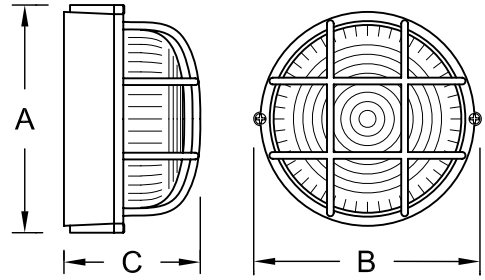
H-62105-B - 91 - RIB / - - -

ORDER EXAMPLE
 (USE THIS FORMAT TO PLACE ORDER)

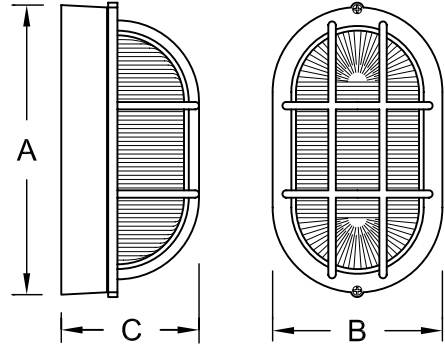
Notes:

- (1) H-62230-B, H-62225-B, H-62105-B and H-62110-B available for use as a flush mount as well as a wall bracket.
 H-62105-B, H-62110-B, H-62205-B and H-62210-B available for 60W Max INC.

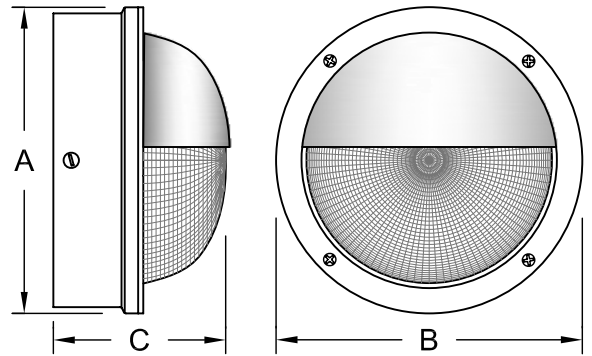
Neptune Collection



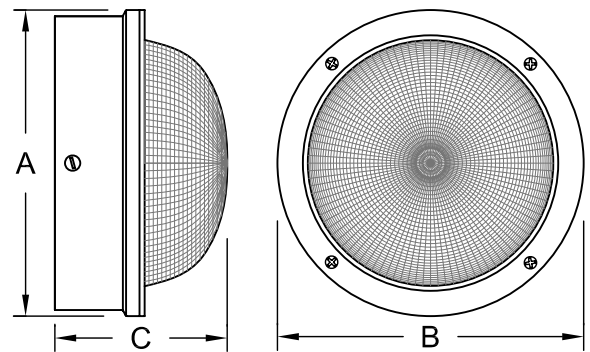
H-62105-B
H-62110-B



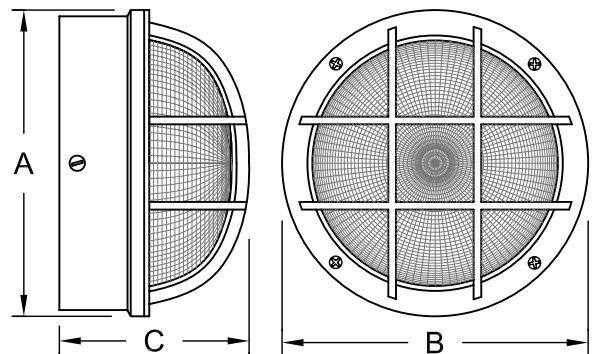
H-62205-B
H-62210-B



H-62215-B



H-62225-B



H-62230-B

Suitable for wet location.