



Job Name: _____

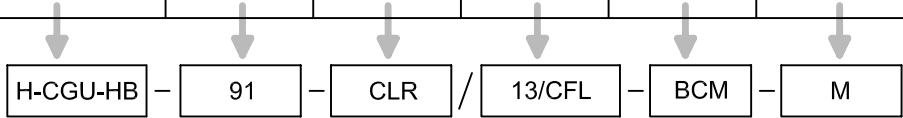
Type: _____

Quantity: _____

Item Number	Height (A)	Width (B)	Projection (C)	Canopy Dia. (D)
H-CGU-HB	10"	4"	6"	5"
H-CGU-1HB	10"	10"	8"	5"
H-LCGU-HB	12"	5"	7"	6"
H-LCGU-1HB	12"	13"	11"	6"

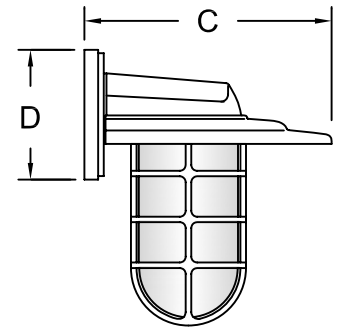
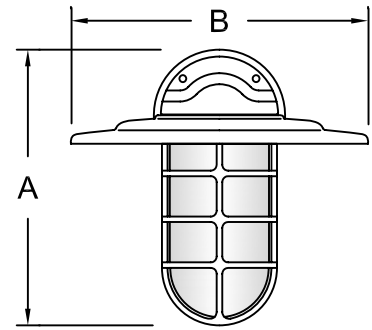
For Wall Mount Only

Fixture No.	Fixture Color	Glass Color	Wattage/Lamp options	Ballast	Voltage
H-CGU-HB⁽¹⁾ H-CGU-1HB⁽¹⁾ H-LCGU-HB⁽¹⁾ H-LCGU-1HB⁽¹⁾	Standard 91 (Black) 93 (White) 95 (Dk. Grn) 96 (Galv.) BR47 (Rust) BK01, GN20. Upgraded Finishes. ⁽²⁾ 29, 66, 82, 90, 92, 94, 97, 99, 100, 103, 104, 105, 110, 112, 113, 114, 115, 117, 118, 119, 120, 127, 128, 129, 133, 134, 135, 136, 98, 101, 102, 137, 121, 122, 123, 124, 125, 126, 11, 01, 22, 25, 33, 77, 89, 24, 44, 48, 49. For finish specs see pages 344-348.	CLR (Clear) RIB (Clear Ribbed) FR (Frost) RD (Red) BL (Blue) GRN (Green) AM (Amber) AMC (Amber Crackle)	Incandescent ⁽¹⁾ (Fixture is standard 100W or 200W. Do not specify.) CFL ⁽¹⁾ (Compact Fluorescent) 13/CFL 18/CFL 26/32/42/CFL 26/CFL 32/CFL 42/CFL 57/CFL DMB (Dimmable Ballast for CFL. Add to Part No.) HID ⁽¹⁾ (High Intensity Discharge) MH ⁽¹⁾ (Metal Halide) 35/MH 50/MH 70/MH 100/MH 150/MH 175/MH HPS ⁽¹⁾ (High Pressure Sodium) 50/HPS 70/HPS 100/HPS 150/HPS	Ballast option not available for INC. RB⁽³⁾ (Remote) BCM (Canopy Mount) For specs see pages 341-343.	Incandescent (Fixture is standard 120V. Do not specify.) CFL M (Multi 120/277V) HID RB and BCM M (Multi 120/208/240/277V)

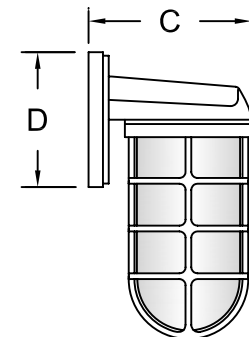
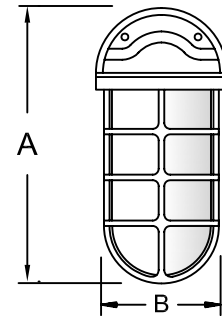


ORDER EXAMPLE
(USE THIS FORMAT TO PLACE ORDER)

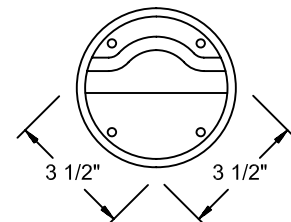
Saucer Vapor Jar Collection



H-CGU-1HB
H-LCGU-1HB



H-CGU-HB
H-LCGU-HB



Mounting Detail

Notes:

- (1) H-CGU-HB and H-CGU-1HB available for 100W Max INC, 32W Max CFL and 100W Max HID. H-LCGU-HB and H-LCGU-1HB available for 200W Max INC, 57W Max CFL and 175W Max HID. Above fixtures available with WGU wireguard.
- (2) Casting will be painted to match copper or brass finishes.
- (3) (RB) Remote ballast not available for Fluorescent Lamping.

Suitable for wet location.