



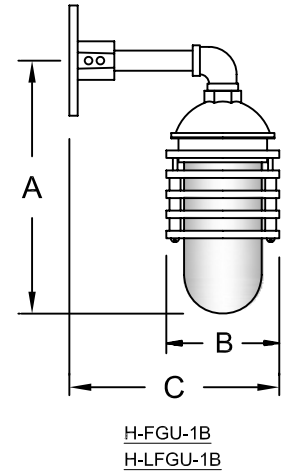
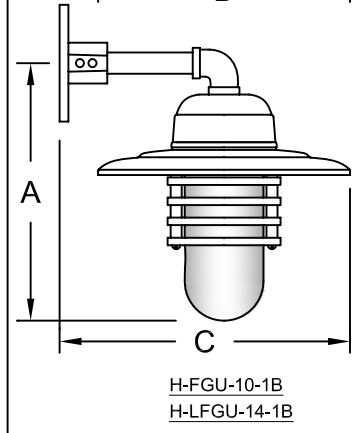
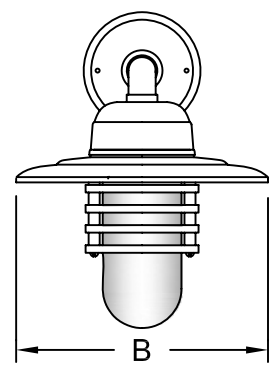
Job Name: \_\_\_\_\_  
 Type: \_\_\_\_\_  
 Quantity: \_\_\_\_\_

Item Number	Height (A)	Width (B)	Projection (C)
H-FGU-1B	9"	5"	8"
H-FGU-10-1B	10"	10"	11 1/2"
H-LFGU-1B	12"	5 1/2"	10 3/4"
H-LFGU-14-1B	13"	13"	15"

For Wall Mount Only

Fixture No.	Fixture Color	Glass Color	Optional Accessories	Wattage/Lamp options	Ballast	Voltage
<b>H-FGU-1B</b> <sup>(1)</sup> <b>H-FGU-10-1B</b> <sup>(1)</sup> <b>H-LFGU-1B</b> <sup>(1)</sup> <b>H-LFGU-14-1B</b> <sup>(1)</sup>	Standard 91 (Black) 93 (White) 95 (Dk. Grn) 96 (Galv.) BR47 (Rust) BK01, GN20.  Upgraded Finishes. <sup>(3)</sup> 29, 66, 82, 90, 92, 94, 97, 99, 100, 103, 104, 105, 110, 112, 113, 114, 115, 117, 118, 119, 120, 127, 128, 129, 133, 134, 135, 136, 98, 101, 102, 137, 121, 122, 123, 124, 125, 126, 11, 01, 22, 25, 33, 77, 89, 24, 44, 48, 49.  For finish specs see pages 344-348.	CLR (Clear)  RIB (Clear Ribbed)  FR (Frost)  RD (Red)  BL (Blue)  GRN (Green)  AM (Amber)  AMC (Amber Crackle)	CAL (Clear Acrylic Layer)  BAL (Blue Acrylic Layer)  RAL (Red Acrylic Layer)  GNAL (Green Acrylic Layer)  For specs see pages 321-344.	Incandescent <sup>(1)</sup> (Fixture is standard 100W or 200W. Do not specify.)  CFL (Compact Fluorescent) 13/CFL 18/CFL 26/32/42/CFL 26/CFL 32/CFL 42/CFL 57/CFL  DMB (Dimmable Ballast for CFL. Add to Part No.)  HID (High Intensity Discharge)  MH (Metal Halide) 35/MH 50/MH 70/MH 100/MH 150/MH 175/MH  HPS (High Pressure Sodium) 50/HPS 70/HPS 100/HPS 150/HPS	Ballast option not available for INC.  RB <sup>(3)</sup> (Remote)  BCM (Canopy Mount)  For specs see pages 341-343.	Incandescent (Fixture is standard 120V. Do not specify.)  CFL M (Multi 120/277V)  HID RB and BCM M (Multi 120/208/240/277V)

Saucer Layered Jelly Jar Collection

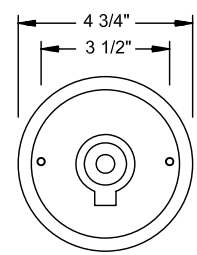


H-FGU-1B - 91 - CLR / CAL / 13/CFL - BCM - M

**ORDER EXAMPLE**  
 (USE THIS FORMAT TO PLACE ORDER)

Notes:

- (1) H-FGU-1B and H-FGU-10-1B available for 100W Max INC, 32W Max CFL and 100W Max HID. H-LFGU-1B and H-LFGU-14-1B available for 200W Max INC, 57W Max CFL and 175W Max HID.
- (2) Casting will be painted to match copper and brass finishes.
- (3) (RB) Remote Ballast is not available for Fluorescent Lamping.



Mounting Detail

Suitable for wet location.