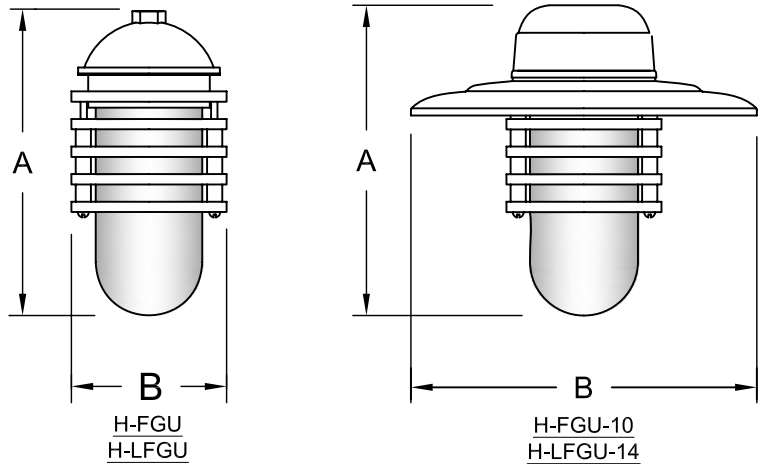




Job Name: _____
 Type: _____
 Quantity: _____

Layered Vapor Jar Collection



Item Number	Height (A)	Width (B)
H-FGU	10"	4"
H-FGU-10	10"	10"
H-LFGU	12"	5"
H-LFGU-14	12"	13"

Fixture No.	Fixture Color	Glass Color	Mounting	Mounting Color	Optional Accessories	Accessory Color	Wattage/Lamp options	Ballast	Voltage
H-FGU (1) H-FGU-10 (1) H-LFGU (1) H-LFGU-14 (1)	Standard (2) 91 (Black) 93 (White) 95 (Dk. Grn) 96 (Galv.) BR47 (Rust) BK01, GN20 . Upgraded Finishes. 29, 66, 82, 90, 92, 94, 97, 99, 100, 103, 104, 105, 110, 112, 113, 114, 115, 117, 118, 119, 120, 127, 128, 129, 133, 134, 135, 136, 98, 101, 102, 137, 121, 122, 123, 124, 125, 126, 11, 01, 22, 25, 33, 77, 89, 24, 44, 48, 49. For finish specs see pages 344-348.	CLR (Clear) RIB (Clear Ribbed) FR (Frost) RD (Red) BL (Blue) GRN (Green) AM (Amber) AMC (Amber Crackle)	Mounting Options 1/2" 3/4" Cord Options ⁽³⁾ CB8 (8' Blk Cord) CW8 (8' Wht Cord) CG8 (8' Gray Mesh Cord) Custom Cord Options ⁽³⁾ CB (Black) CW (White) CG (Gray Mesh) Specify length. Stem Options (Stem 1/2") ST Specify length and canopy. HSC (Canopy) SMC (Canopy) Flush Mount Options FHSC FSMC Arm Options B-1 HL-K HL-A HL-U HL-H P-1 HL-C P-3 HL-D For all arms and specs see pages 321-344.	Standard 91 (Black) 93 (White) 95 (Dk. Grn) 96 (Galv.) BR47 (Rust) For all finishes see pages 344-348.	SK (Swivel knuckle) FX (Flexible tubing for cord mounted fixture only) CAL (Clear Acrylic Layer) BAL (Blue Acrylic Layer) RAL (Red Acrylic Layer) GNAL (Green Acrylic Layer) For specs see pages 321-344.	Standard 91 (Black) 93 (White) 95 (Dk. Grn) 96 (Galv.) BR47 (Rust) For all finishes see pages 344-348.	Incandescent (Fixture is standard 100W or 200W. Do not specify.) CFL (Compact Fluorescent) 13/CFL 18/CFL 26/32/42/CFL 26/CFL 32/CFL 42/CFL 57/CFL DMB (Dimmable Ballast for CFL. Add to Part No.) HID (High Intensity Discharge) MH (Metal Halide) 35/MH 50/MH 70/MH 100/MH 150/MH 175/MH HPS (High Pressure Sodium) 50/HPS 70/HPS 100/HPS 150/HPS	Ballast option not available for INC. RB (4) (Remote) BCM (Canopy Mount) PLB (5) (Postline) For specs see pages 341-343.	Incandescent (Fixture is standard 120V. Do not specify.) CFL M (Multi 120/277V) HID RB and BCM M (Multi 120/208/240/277V) PLB 1 (120V) 2 (277V)

H-FGU	-	91	-	CLR	/	1/2"	-	91	/	SK	-	91	/	13/CFL	-	BCM	-	M
-------	---	----	---	-----	---	------	---	----	---	----	---	----	---	--------	---	-----	---	---

ORDER EXAMPLE

(USE THIS FORMAT TO PLACE ORDER)

Notes:

- (1) H-FGU and H-FGU-10 available for 100W Max INC, 32W Max CFL and 100W Max HID. H-LFGU and H-LFGU-14 available for 200W Max INC, 57W Max CFL and 175W Max HID.
- (2) For interior finish of fixture refer to color chart on pages 344-348.
- (3) Cord Mounting wattage not to exceed 100 for HID. Gray Mesh Cord not available for HID.

- (4) (RB) Remote Ballast is not available for Fluorescent Lamping.
- (5) (PLB) Post Line Ballast must specify 120V or 277V. (PLB) 50W MH requires a 3" dia. pole. (PLB) 70W and 100W MH require a 4" dia. pole. (PLB) 50W, 70W, 100W and 150W HPS require a 3" dia. pole.

Suitable for wet location.
(Except when cord mounted)