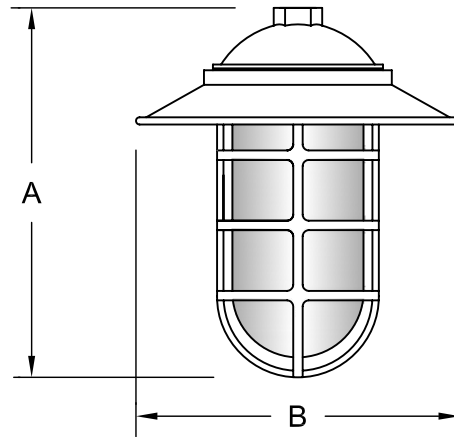




Job Name: _____
 Type: _____
 Quantity: _____

Angle Vapor Jar Collection



Item Number	Height (A)	Width (B)
H-CGU-SS-8	10"	8"
H-LCGU-SS-10	12"	10"
H-LCGU-SS-12	12"	12"
H-LCGU-SS-16	12"	16"
H-LCGU-SS-18	12"	18"

Fixture No.	Fixture Color	Glass Color	Mounting	Mounting Color	Optional Accessories	Accessory Color	Wattage/Lamp options	Ballast	Voltage
H-CGU-SS-8 ⁽¹⁾	Standard	CLR (Clear)	Mounting Options 1/2" 3/4"	Standard 91 (Black) 93 (White) 95 (Dk. Grn) 96 (Galv.) BR47 (Rust)	SK (Swivel knuckle) FX (Flexible tubing for cord mounted fixture only)	Standard 91 (Black) 93 (White) 95 (Dk. Grn) 96 (Galv.) BR47 (Rust)	Incandescent ⁽¹⁾ (Fixture is standard 100W or 200W. Do not specify.) CFL (Compact Fluorescent) 13/CFL 18/CFL 26/32/42/CFL 26/CFL 32/CFL 42/CFL 57/CFL DMB (Dimmable Ballast for CFL. Add to Part No.) HID (High Intensity Discharge) MH (Metal Halide) 35/MH 50/MH 70/MH 100/MH 150/MH 175/MH HPS (High Pressure Sodium) 50/HPS 70/HPS 100/HPS 150/HPS	Ballast option not available for INC. RB ⁽⁴⁾ (Remote) BCM (Canopy Mount) PLB ⁽⁵⁾ (Postline) For specs see pages 341-343.	Incandescent (Fixture is standard 120V. Do not specify.) CFL M (Multi 120/277V) HID RB and BCM M (Multi 120/208/240/277V) PLB 1 (120V) 2 (277V)
H-LCGU-SS-10 ⁽¹⁾	91 (Black) 93 (White) 95 (Dk. Grn) 96 (Galv.) BR47 (Rust) BK01, GN20.	RIB (Clear Ribbed) FR (Frost) RD (Red) BL (Blue) GRN (Green) AM (Amber) AMC (Amber Crackle)	Cord Options ⁽³⁾ CB8 (8' Blk Cord) CW8 (8' Wht Cord) CG8 (8' Gray Mesh Cord) Custom Cord Options ⁽³⁾ CB ___ (Black) CW ___ (White) CG ___ (Gray Mesh) Specify length. Stem Options (Stem 1/2") ___ ST Specify length and canopy. HSC (Canopy) SMC (Canopy) Flush Mount Options FHSC FSMC Arm Options B-1 HL-K HL-A HL-U HL-H P-1 HL-C P-3 HL-D For all arms and specs see pages 321-344.	For all finishes see pages 344-348.	For specs see pages 321-344.	For all finishes see pages 344-348.			
H-LCGU-SS-12 ⁽¹⁾	Upgraded Finishes ⁽²⁾ 29, 66, 82, 90, 92, 94, 97, 99, 100, 103, 104, 105, 110, 112, 113, 114, 115, 117, 118, 119, 120, 127, 128, 129, 133, 134, 135, 136, 98, 101, 102, 137, 121, 122, 123, 124, 125, 126, 11, 01, 22, 25, 33, 77, 89, 24, 44, 48, 49.								
H-LCGU-SS-16 ⁽¹⁾									
H-LCGU-SS-18 ⁽¹⁾									

H-CGU-SS-8 - 91 - CLR / 1/2" - 91 / SK - 91 / 13/CFL - BCM - M

ORDER EXAMPLE (USE THIS FORMAT TO PLACE ORDER)

Notes:

- (1) H-CGU-SS-8 available for 100W Max INC, 32W Max CFL and 100W Max HID.
 H-LCGU-SS-10, H-LCGU-SS-12, H-LCGU-SS-16 and H-LCGU-SS-18 available for 200W Max INC, 57W Max CFL and 175W Max HID.
 Above fixtures available with WGU wireguard.
- (2) Casting will be painted to match copper and brass finishes.

- (3) Cord Mounting wattage not to exceed 100 for HID. Gray Mesh Cord not available for HID.
- (4) (RB) Remote ballast not available for fluorescent lamping.
- (5) (PLB) Post Line Ballast must specify 120V or 277V.
 (PLB) 50W MH requires a 3" dia. pole.
 (PLB) 70W and 100W MH require a 4" dia. pole.
 (PLB) 50W, 70W, 100W and 150W HPS require a 3" dia. pole.

Suitable for wet location.
(Except when cord mounted)