



Job Name: _____
 Type: _____
 Quantity: _____

| Item Number | Height (A) | Width (B) | Projection (C) | Canopy (D) |
|-------------|------------|-----------|----------------|------------|
| H-FGU-HB | 10" | 4" | 6" | 5" |
| H-FGU-1HB | 10" | 10" | 8" | 5" |
| H-LFGU-HB | 12" | 5" | 7" | 6" |
| H-LFGU-1HB | 12" | 13" | 11" | 6" |

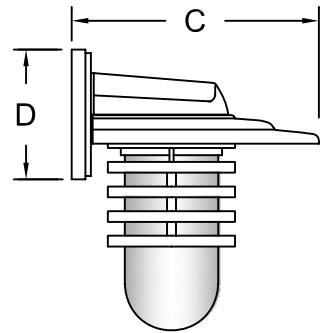
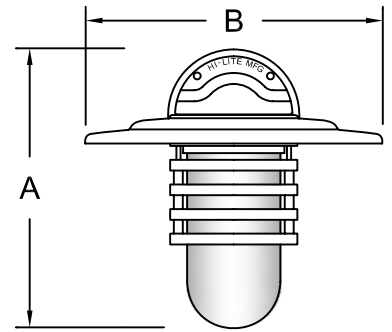
For Wall Mount Only

| Fixture No. | Fixture Color | Glass Color | Optional Accessories | Wattage/Lamp options | Ballast | Voltage |
|----------------------------------|---|-------------------------------|--------------------------------------|--|---------------------------------------|---|
| H-FGU-HB ⁽¹⁾ | Standard | CLR (Clear) | CAL (Clear Acrylic Layer) | Incandescent ⁽¹⁾ (Fixture is standard 100W or 200W. Do not specify.) | Ballast option not available for INC. | Incandescent (Fixture is standard 120V. Do not specify.) |
| H-FGU-1HB ⁽¹⁾ | 91 (Black) | RIB (Clear Ribbed) | BAL (Blue Acrylic Layer) | CFL (Compact Fluorescent) | RB ⁽³⁾ (Remote) | CFL M (Multi 120/277V) |
| H-LFGU-HB ⁽¹⁾ | 95 (Dk. Grn) | FR (Frost) | RAL (Red Acrylic Layer) | 13/CFL | BCM (Canopy Mount) | HID RB and BCM M (Multi 120/208/240/277V) |
| H-LFGU-1HB ⁽¹⁾ | 96 (Galv.) BR47 (Rust) BK01, GN20. | RD (Red) | GNAL (Green Acrylic Layer) | 26/32/42/CFL | For specs see pages 341-343. | |
| | Upgraded Finishes ⁽²⁾ 29, 66, 82, 90, 92, 94, 97, 99, 100, 103, 104, 105, 110, 112, 113, 114, 115, 117, 118, 119, 120, 127, 128, 129, 133, 134, 135, 136, 98, 101, 102, 137, 121, 122, 123, 124, 125, 126, 11, 01, 22, 25, 33, 77, 89, 24, 44, 48, 49. | BL (Blue) | For specs see pages 321-344. | 26/CFL | | |
| | For finish specs see pages 344-348. | GRN (Green) | | 32/CFL | | |
| | | AM (Amber) | | 42/CFL | | |
| | | AMC (Amber Crackle) | | 57/CFL | | |
| | | | | DMB (Dimmable Ballast for CFL. Add to Part No.) | | |
| | | | | HID (High Intensity Discharge) | | |
| | | | | MH (Metal Halide) | | |
| | | | | 35/MH | | |
| | | | | 50/MH | | |
| | | | | 70/MH | | |
| | | | | 100/MH | | |
| | | | | 150/MH | | |
| | | | | 175/MH | | |
| | | | | HPS (High Pressure Sodium) | | |
| | | | | 50/HPS | | |
| | | | | 70/HPS | | |
| | | | | 100/HPS | | |
| | | | | 150/HPS | | |

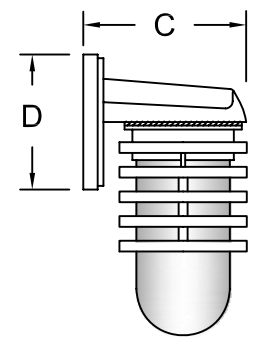
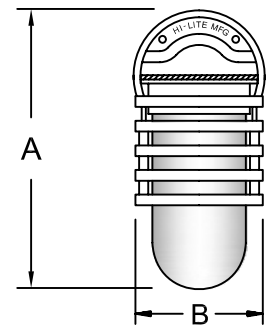
H-FGU-HB - 91 - CLR / - / 13/CFL - BCM - M

ORDER EXAMPLE
 (USE THIS FORMAT TO PLACE ORDER)

Layered Vapor Jar Collection



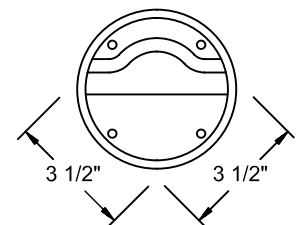
H-FGU-1HB
H-LFGU-1HB



H-FGU-HB
H-LFGU-HB

Notes:

- (1) H-FGU-HB and H-FGU-1HB available for 100W Max INC, 32W Max CFL and 100W Max HID. H-LFGU-HB and H-LFGU-1HB available for 200W Max INC, 57W Max CFL and 175W Max HID.
- (2) Casting will be painted to match copper and brass finishes.
- (3) (RB) Remote ballast not available for fluorescent lampping.



Mounting Detail

Suitable for wet location.